

### Input data

System of measurement		Metric
Input type		Gear motor
Input speed	[rpm]	1400
Output speed	[rpm]	170.94
Ratio (i=)		8.19
Frequency	[Hz]	50
Input options		IEC
Requested input power	[kW]	22
Service factor		1
Rated Power P1	[kW]	21.81

### Output data

**Gear unit** **M RD 52 B3 H1 8.19 180 B5 AU 40x80 MT 22 kW 180 L4 B5 X3**

Type		RD - Helical gearboxes
Input type		M
Size		52
Ratio (i=)		8.19
Input flange		B5
Mounting position		H1
Input speed	[rpm]	1400
Output speed	[rpm]	170.94
Rated output torque	[Nm]	1179.92
Service Factor		1
Efficiency		0.96
Inertia moment	[kgm <sup>2</sup> ]	0.001646

#### Gear unit configuration

Fixing		Feet
Output shaft		AU 40x80

#### Output radial and axial loads

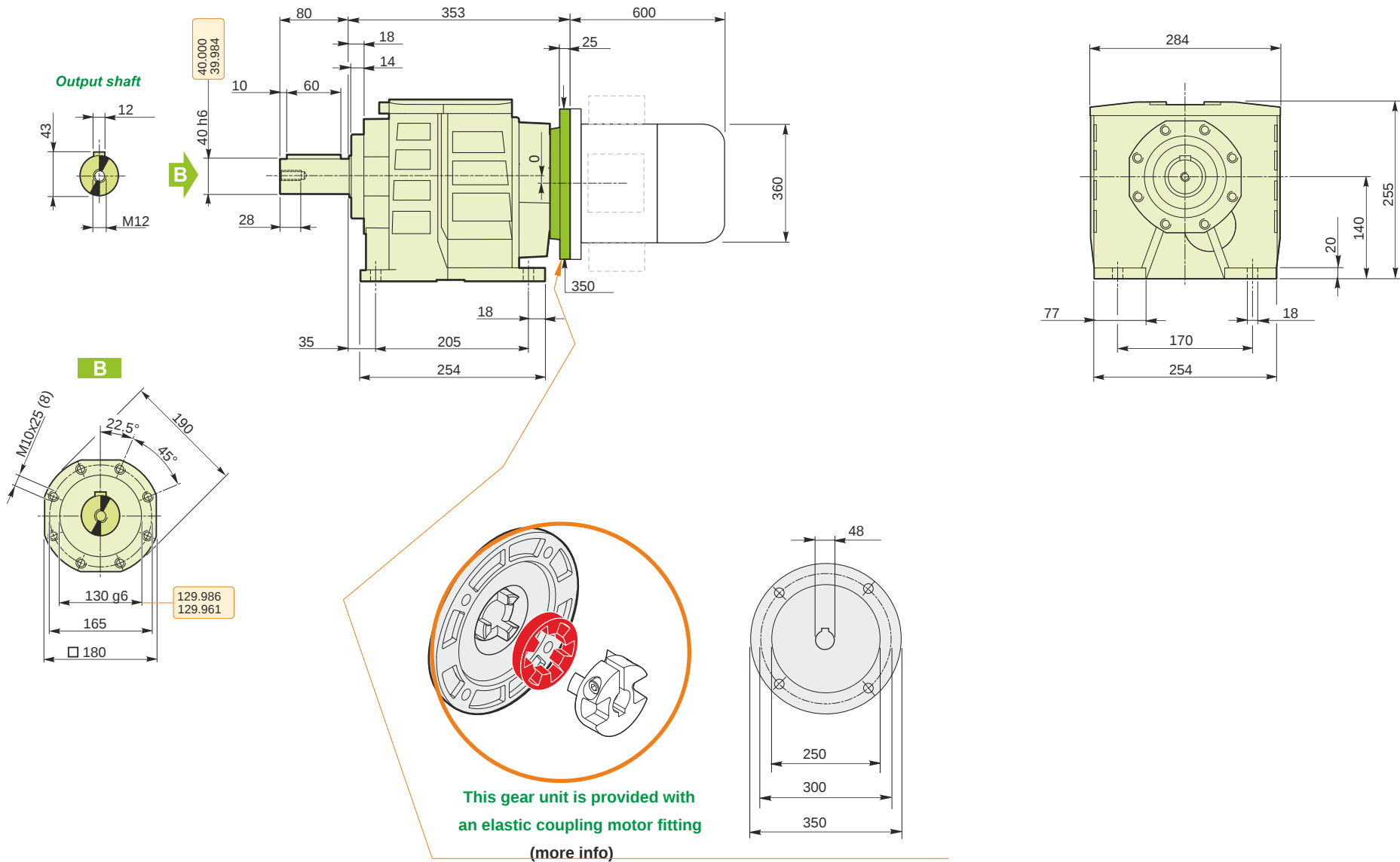
Output radial load	[N]	5200
Output axial load	[N]	1040

#### Electric motor

Size		180 L4
Poles		4
Power	[kW]	22

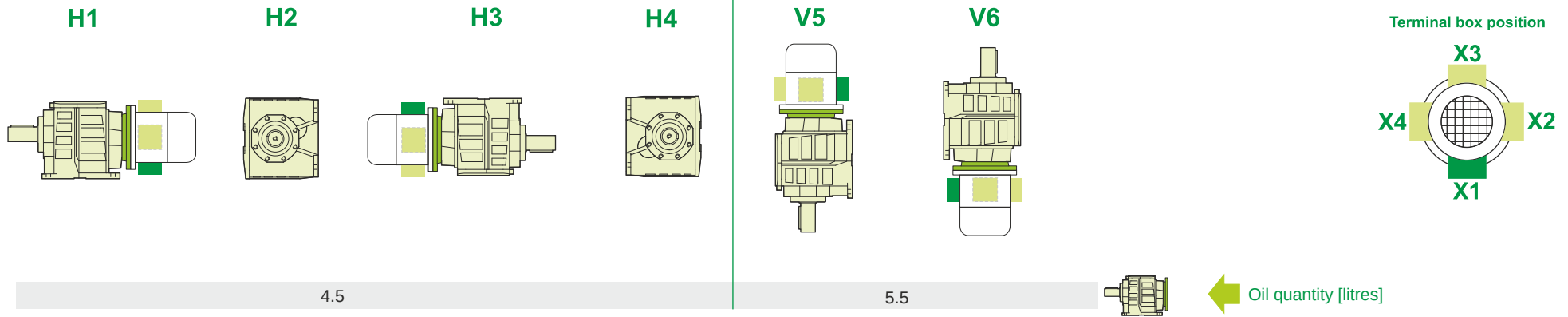
#### Electric motor configuration

Motor flange		B5
Terminal box position		X3



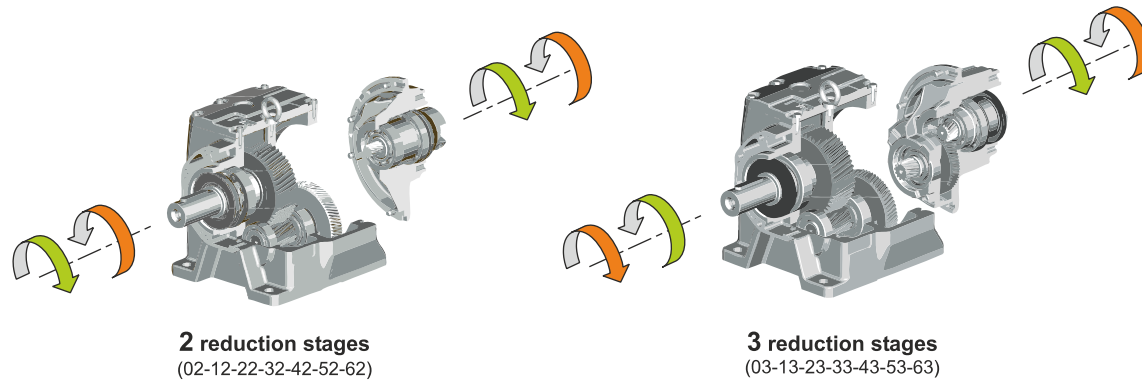
**M RD 52 B3 H1 8.19 180 B5 AU 40x80 MT 22 kW 180 L4 B5 X3**

**Mounting positions**



Lubricant type: Long life synthetic oil ISO VG320

**Direction of rotation**



**Weight**

Gear unit [kg]	49
Electric motor [kg]	135

**M RD 52 B3 H1 8.19 180 B5 AU 40x80 MT 22 kW 180 L4 B5 X3**