

### Input data

System of measurement		Metric
Input type		Gear motor
Input speed	[rpm]	1400
Output speed	[rpm]	140
Ratio (i=)		10
Frequency	[Hz]	50
Input options		IEC
Requested input power	[kW]	9.2
Service factor		1
Rated Power P1	[kW]	9.46

### Output data

<b>Gear unit</b>	<b>M RD 42 B3 H1 10 132 B14 AU 35x70 MT 9.2 kW 132 ML4 B14 X3</b>	
------------------	---	--

Type		RD - Helical gearboxes
Input type		M
Size		42
Ratio (i=)		10
Input flange		B14
Mounting position		H1
Input speed	[rpm]	1400
Output speed	[rpm]	140
Rated output torque	[Nm]	602.47
Service Factor		1
Efficiency		0.96
Inertia moment	[kgm <sup>2</sup> ]	0.001033

#### Gear unit configuration

Fixing		Feet
Output shaft		AU 35x70

#### Output radial and axial loads

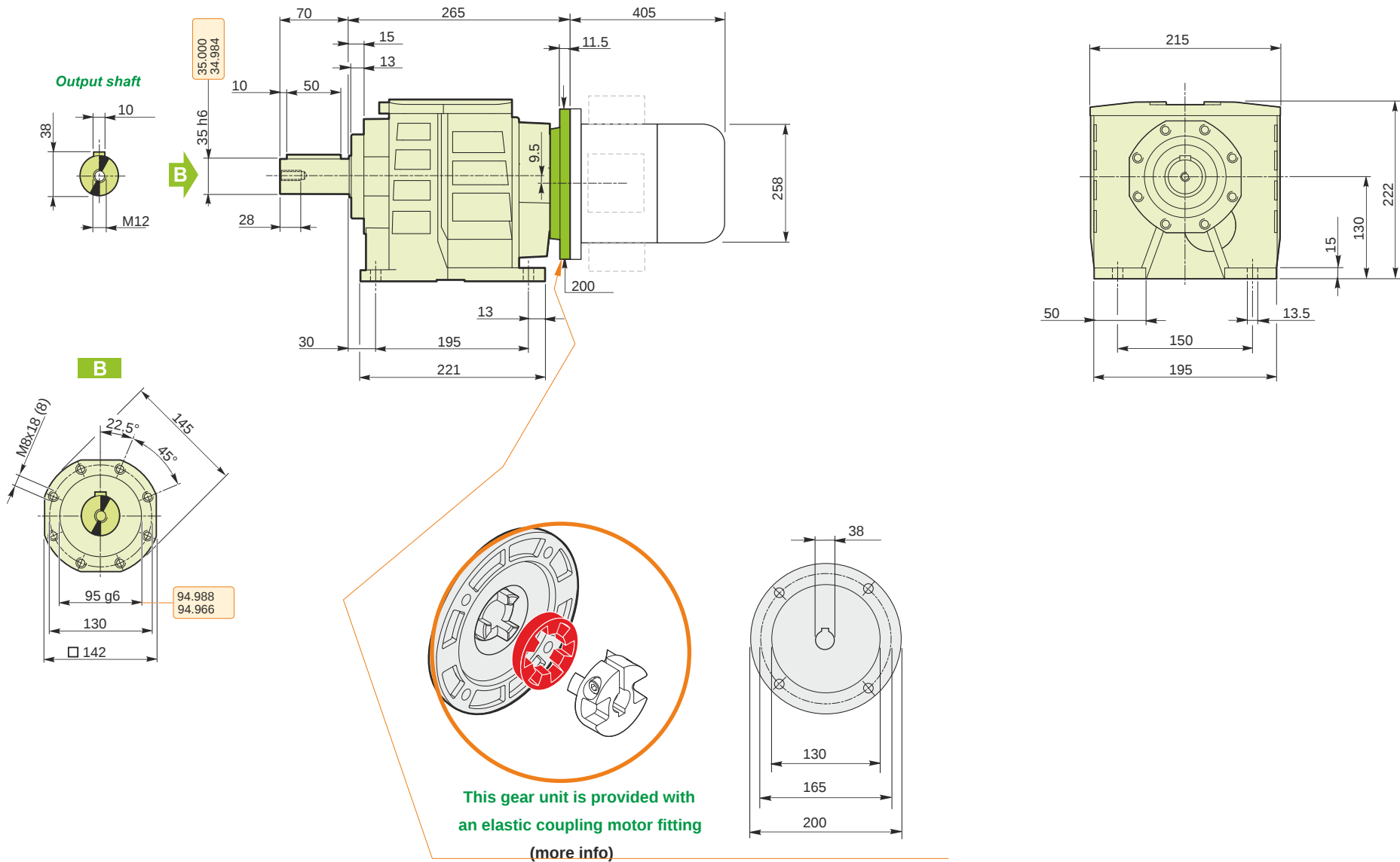
Output radial load	[N]	3700
Output axial load	[N]	740

#### Electric motor

Size		132 ML4
Poles		4
Power	[kW]	9.2

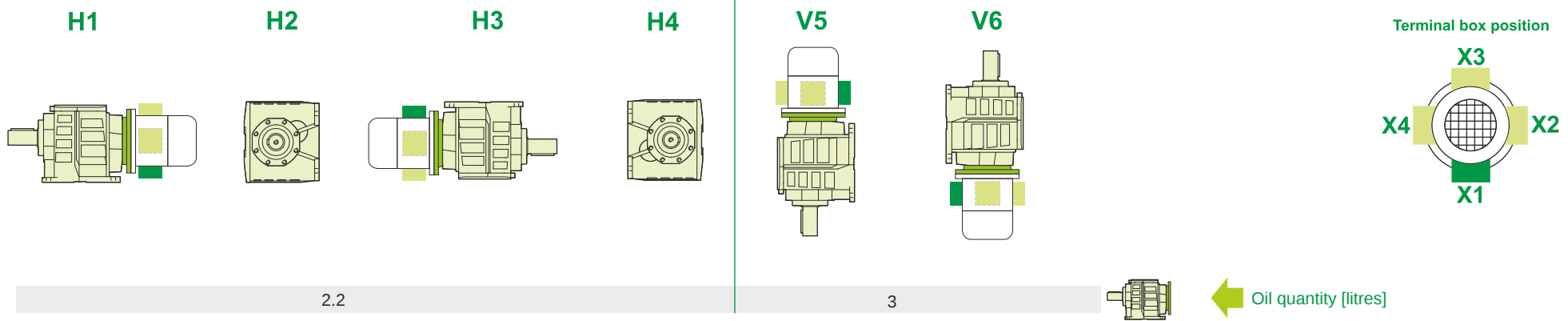
#### Electric motor configuration

Motor flange		B14
Terminal box position		X3



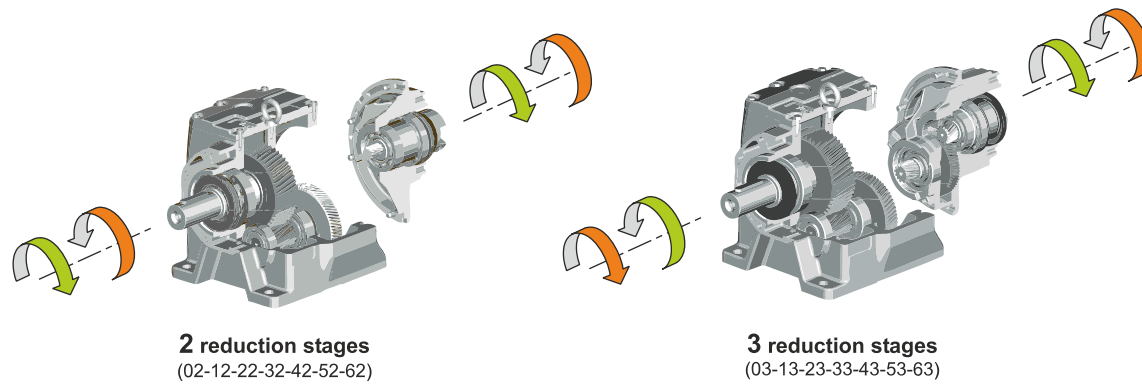
**M RD 42 B3 H1 10 132 B14 AU 35x70 MT 9.2 kW 132 ML4 B14 X3**

**Mounting positions**



Lubricant type: Long life synthetic oil ISO VG320

**Direction of rotation**



**Weight**

Gear unit [kg]	20
Electric motor [kg]	52

**M RD 42 B3 H1 10 132 B14 AU 35x70 MT 9.2 kW 132 ML4 B14 X3**