

### Input data

System of measurement		Metric
Input type		Gear motor
Input speed	[rpm]	1400
Output speed	[rpm]	518.52
Ratio (i=)		2.7
Frequency	[Hz]	50
Input options		IEC
Requested input power	[kW]	4
Service factor		2.7
Rated Power P1	[kW]	10.74

### Output data

**Gear unit** **M RD 32 B3 H1 2.7 112 B14 AU 30x60 MT 4 kW 112 A4 B14 X3**

Type		RD - Helical gearboxes
Input type		M
Size		32
Ratio (i=)		2.7
Input flange		B14
Mounting position		H1
Input speed	[rpm]	1400
Output speed	[rpm]	518.52
Rated output torque	[Nm]	70.72
Service Factor		2.7
Efficiency		0.96
Inertia moment	[kgm <sup>2</sup> ]	0.000756

#### Gear unit configuration

Fixing		Feet
Output shaft		AU 30x60

#### Output radial and axial loads

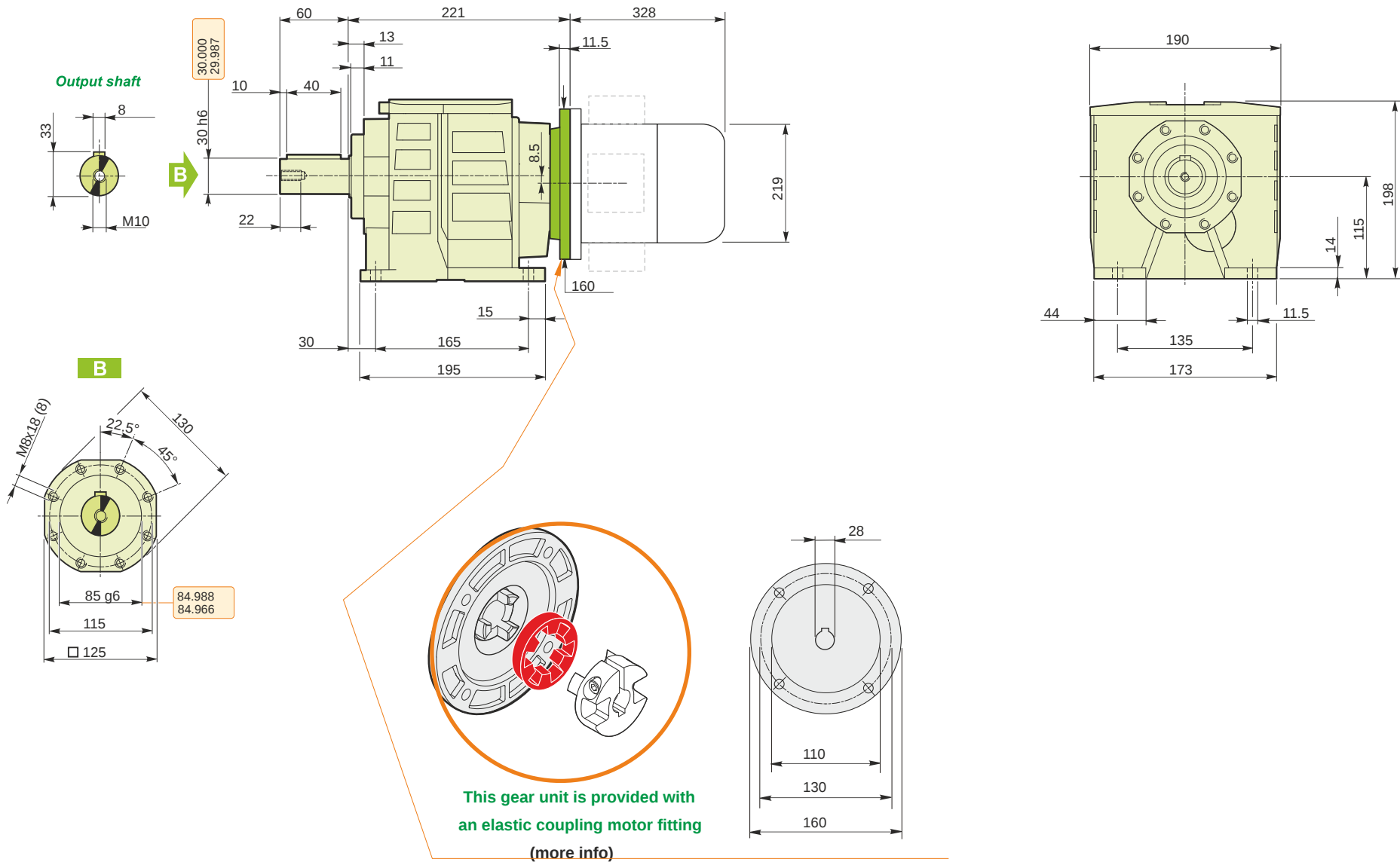
Output radial load	[N]	2100
Output axial load	[N]	420

#### Electric motor

Size		112 A4
Poles		4
Power	[kW]	4

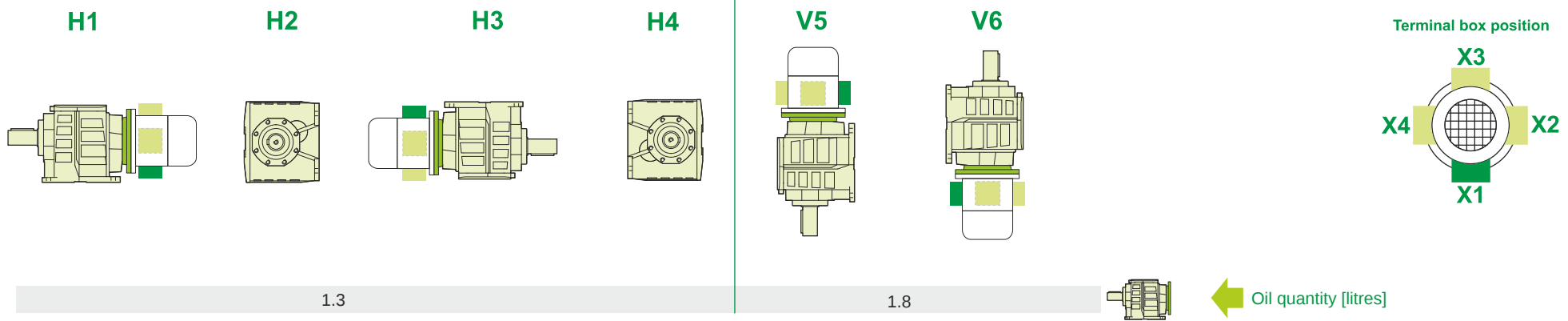
#### Electric motor configuration

Motor flange		B14
Terminal box position		X3



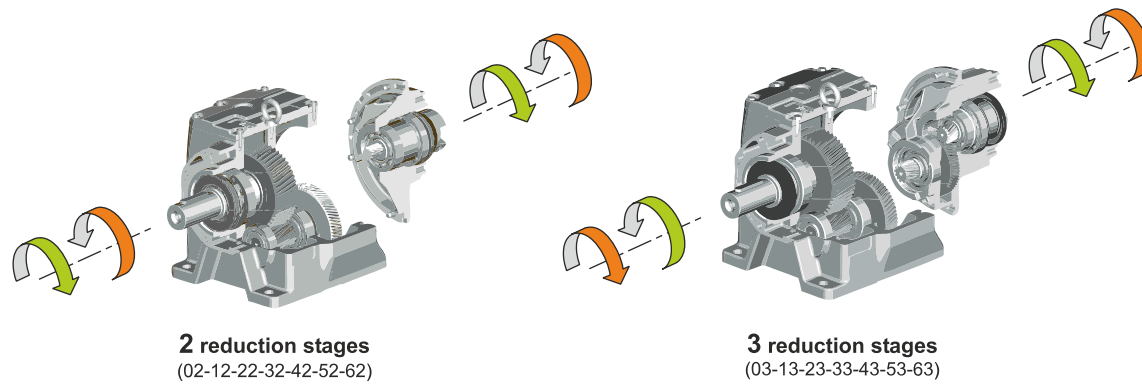
**M RD 32 B3 H1 2.7 112 B14 AU 30x60 MT 4 kW 112 A4 B14 X3**

**Mounting positions**



Lubricant type: Long life synthetic oil ISO VG320

**Direction of rotation**



**Weight**

Gear unit [kg]	13.5
Electric motor [kg]	29

**M RD 32 B3 H1 2.7 112 B14 AU 30x60 MT 4 kW 112 A4 B14 X3**